

Country of Origin : China
 Operating Temperature : 0~40 [°C]
 Dimension : 92 x 50 x 32 [mm]
 Efficiency level (ErP) : VI



Approvals / Marks :



Specifications

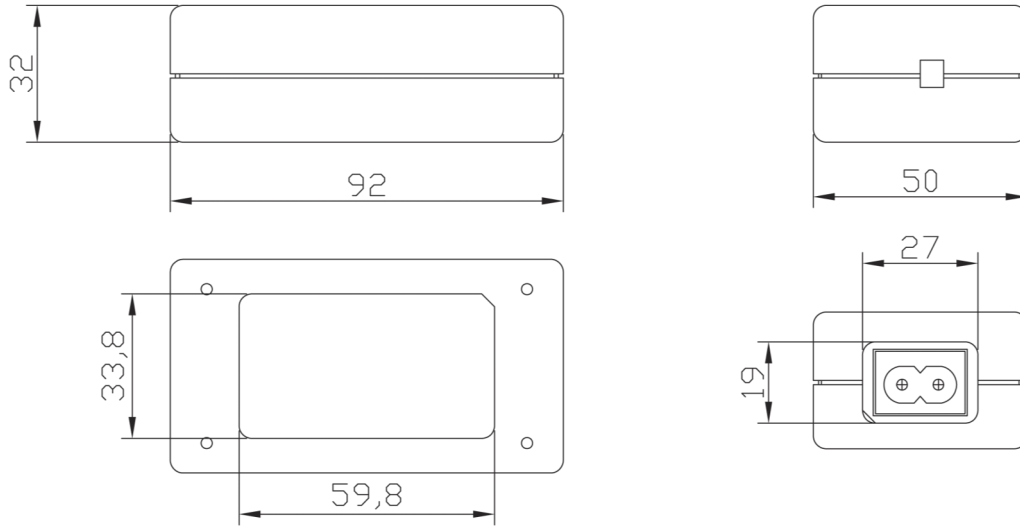
Model	Voltage DC [V]	Loading [A]	Max. Power [W]	Ripple / Noise [mV] p-p	Connector [mm]
SYS1588-2005-T2	5	0~4	20	120	2.1x5.5x11
SYS1588-2709-T2	9	0~3	27	120	2.1x5.5x11
SYS1588-3012-T2	12	0~2.5	30	200	2.1x5.5x11
SYS1588-3015-T2	15	0~2.0	30	200	2.1x5.5x11
SYS1588-3018-T2	18	0~1.66	30	240	2.1x5.5x11
SYS1588-3024-T2	24	0~1.25	30	240	2.1x5.5x11
SYS1588-3048-T2	48	0~0.63	30	400	2.1x5.5x11

Features:

Available in inlet version: C7 (T2)
 Output connector: standard: 2.1 x 5.5 x 11mm or customer requirement | Regulated Output With Low Ripple Noise | Safety Agency Requirements and EM/EMS Certified
 Private Label Marking Available | Modified and Custom Design Available | 2 Years Warranty

OUTPUT		CE	
Turn delay	3000 ms max@AC low line input@output full load	EMC	2014/30/EU
Hold up time	8ms min@AC nominal input@output full load	LVD	2014/35/EU EN 60950-1:2006+A11+A1+A12+A2
Efficiency (Normal)	>85%@115v/60HZ,230V/50HZ input & Full load	SAFETY	
Transient response (dv,tmax)	0.4V dv max At AC nominal input loading from 20%load to 80% load 16ms tmax Dynamic rise time 10 us max,duty 40ms max,Dynamic load step is slew rate of 0.5A/us	CE GS cTUVus FCC RCM PSE EAC CB	
Power out.Limit	30W	OTHERS	
Burn in limit	Full load 2 Hours	Dielectric Strength (Hi-pot)	I/P-O/P:3000VAC
Power consumption	0.1W max. At AC nominal input@output min load	M.T.B.F	500,000 Calculated Hours at 25°C, by Telcordia SR-332
INPUT		Cable Length	1370mm (4.5 feet) standard cable or as required
Voltage	(90~264)VAC	PLD (power line disturbance)	Line power surge Line voltage SAG-more info on request
Frequency	(47~63)hz	Cooling method	Natural Convection Cooling
Current	0.5A rms@AC low line input and DC output full load	Housing material	PC + ABS
Inrush Surge Current (cold start)	40/60A max@power supply cold start,ambient temperature 25°C @115Vac/230Vac nominal AC input	Temperature coefficient:	< ±0.5% / °C
leakage current	0.25mA Max	ENVIRONMENT	
PROTECTION		Temperature	Operating: 0~40°C / Storage: -20~85°C
Over current/ Short protection	The power supply will be auto recovered when over current or short circuit faults remove (fold back). Is defined as any output impedance of less than 0.1Ω. The power supply will be auto recovered when short circuit faults remove	Humidity	Operating: 8%~90%RH / Storage: 5%~95% RH non condensing
Over Voltage	The power supply will not be auto recovered when faults remove 110%-150%. (Voltage limit)	WEIGHT	
Input protection	F1:2A 250V Fuse The power supply shall be protected against power line surges and any abnormal condition	NW: 187g/pc	
No Load protection	The power supply is provided with no load operation to prevent the power supply and system from damage.	GW: 208g/pc	
Protection class	II, (ITU-T K.21 Surge 6kV on request)	PACKING	
		Box	50 pcs/1 box

Mechanical case specification:



Cable specification:

