

LED1011(CC)-T2 LED driver - Desktop 30W

RoHS

Country of Origin : China
 Operating Temperature : -20 ~ 50 [°C]
 Dimension : 97.5 x 57.5 x 33.5 [mm]
 LED driver : Constant Current
 Suitable cable : IEC 320 C7
 Approvals / Marks :



Efficiency level (ErP) :



GREEN MODE



Features:

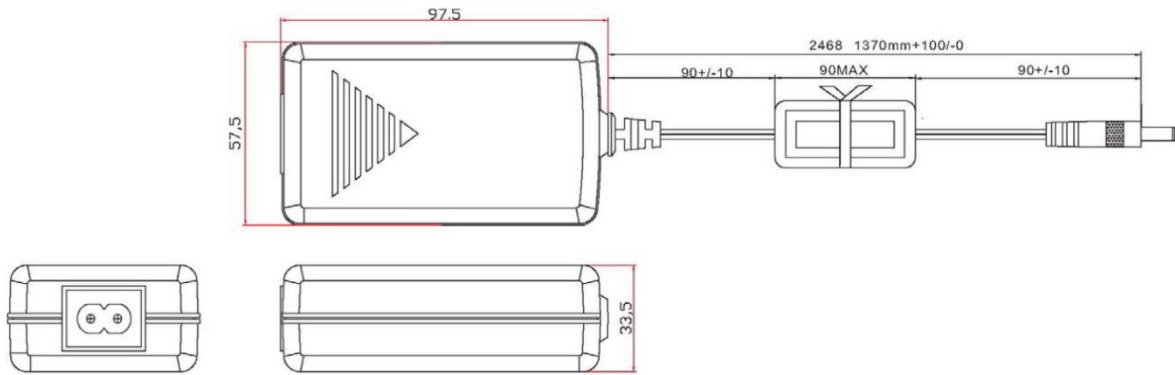
| | |
|--|--|
| LED driver Constant Current | Designed and certified also for IEC320-C7 cable & inlet C8 (T2). |
| Suitable also for mounting on materials of B, C1, C2 flammability grades B, C1, C2 | |
| Over load, over voltage & short protection. | |
| Wide range Input (90 ~ 264)VAC / (47 ~ 63) Hz. | |

Specification:

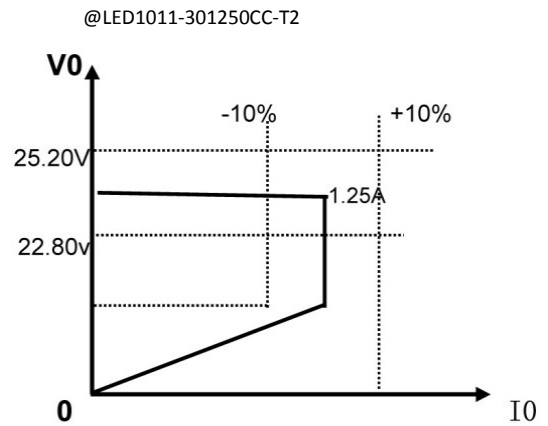
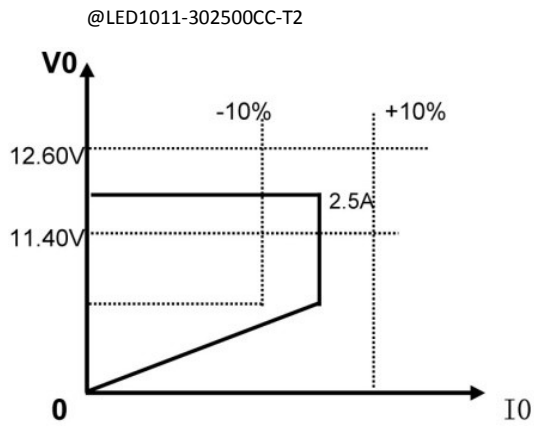
| ErP V. | Model | OUTPUT | | | | | | | | | |
|--------|---------------------|-------------|-------------|-----------------|---------|-------------|----------|----------------|----------------|-----------------------|----------------------------|
| | | Current [V] | Loading [A] | Tol. [V] | OCP [A] | OVP Max [V] | OTP [°C] | Efficiency [%] | Max. Power [W] | Ripple & Noise [V]p-p | Connector [mm] UL approved |
| | LED1011-302500CC-T2 | 2.5 | 2.25~2.75 | 11.4~12.6 (12V) | N/A | 13.2~17.4 | 115 | ≥83.49% | 30 | 1.2 | (*) |
| | LED1011-301250CC-T2 | 1.25 | 1.125~1.375 | 22.8~25.2 (24V) | N/A | 26.4~31.8 | 115 | ≥83.49% | 30 | 2.4 | (*) |

| | | |
|-------------|--|---|
| INPUT | Voltage | (90 ~ 264) VAC |
| | Frequency | (47 ~ 63) Hz |
| | Current | 1.2A rms@ 100V AC and DC output full load |
| | Surge Current max. | 40/60Amax. @ power supply cold start, ambient temperature 25°C @100ac/240Vac nominal AC input. |
| | Leakage current | 0.25mA Max. |
| PROTECTION | Over load | OCP The power supply shall be self-recovering when the fault condition is removed. |
| | Over Voltage | OVP The power supply shall be self-recovering when the fault condition is removed. |
| | Short Circuit | Automatic recovery |
| | Over Temperature | 115°C Transformer |
| | Power Factor | 0.9 Min 100% load |
| | Protection class | II. |
| OTHERS | Dielectric Strength | I/P-O/P (FG): 3KVAC / 10mA / 1 min |
| | Turn on delay | 5000 ms max. @ AC low line input @ output full load |
| | Hold-up Time | 10ms min@ AC nominal Input and Output full load (1 half cycle) |
| | MTBF Qualification | 50K hours full rated load operation at 25°C, according to the MIL-STD-217F. |
| | DC cable & connector | 2468#20AWG*2C/4.5FEET PVC BLACK 80°C or depends on request |
| | Efficiency (typical) | The efficiency shall be higher than ≥78.4% typical while measuring at nominal line and maximum load. (Meet Energy Star level V) |
| | Power Consumption | The input power should less than ≤0.3W with output no load at 115VAC/230VAC input. |
| | Burn-in | 2h |
| | Cooling | With convection cooling |
| | Input Fuse | 2.0A protected against power line surges and any abnormal conditions |
| ENVIRONMENT | Temperature | Operating: (-20 ~ 50)°C / Storage: (-20 ~ 80)°C |
| | Humidity | Operating: (10 ~ 90)% RH / Storage: (20 ~ 90)% RH non condensing |
| SAFETY | CE TUV/GS | |
| EMC | EN55015:2009 EN61000-3-2:2009 EN61000-3-3:2008 EN 61547: 1995+A1: 2000 | |
| WEIGHT | 1pc | N.W.: 167g / pc |
| PACKING | Box | 0.5 x 0.38 x 0.36 [m] |
| | | 60 pcs / 1box |
| | | G.W.: 12kg / box |

Mechanical case specification:



Output „V-A“ Charts:



Mec

