

Mode: Constant Voltage

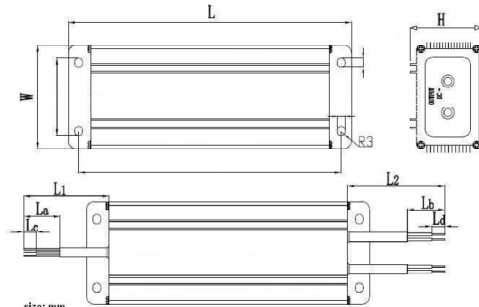
Operating Temperature : -25 ~ +45[°C]

Dimension : 193 x 45 x 70[mm]

Approvals / Marks :



RoHS



size: mm

L±2	W±1	H±1	L1±6 Input	L2±6 Output	La±5	Lb±5	Lc±2	Ld±2
193	45	70	300	300	45	45	5	5

## Features:

Coffee color, more beautiful appearance, EFFICIENT HEAT ELIMINATION.

1. High efficiency - With perfect protection circuit, the mains is of high reliability. The switching mains adopting PWM control mode is one of the best LED mains.
2. Abnormality protection function - The mains has built-in over current and short-circuits protection. In case of short-circuits or overload, the product will conduct automatic protection.
3. More better heat elimination groove design, more efficient heat elimination.

IP protection standard : IP67. 💧💧

100% full load burn-in test.

Over load, over voltage, over temperature & short circuit protection.

## Specification:

Model	OUTPUT							
	Voltage DC [V]	min. Load [A]	max. Load [A]	Output Tol. [V]	Efficiency [%]	Max. Power [W]	Ripple & Noise [mV] p-p	
SHCV-10012 Coffee	12	0	8.3	±5	75	100	150	
SHCV-10024 Coffee	24	0	4.2	±5	75	100	150	
INPUT	Voltage	(170 ~ 250)VAC						
	Frequency	(47 ~ 63)Hz						
	Current	1.1A/240VAC						
	Surge Current max.	30A/240VAC						
	Leakage current	0.75mA/240VAC						
PROTECTION	Over load	20% exceed is allowing						
	Over Voltage	Voltage limiting <255VAC						
	Over Temperature	≤85°C						
	Short Circuit	Yes, auto recovery						
	Protection class	Class 2						
	No Load Operation	0.75W						
OTHERS	Dielectric Strength	2200VAC/1min						
	Set up time	1200ms						
	Hold-up Time	50ms/240VAC at full load						
	MTBF Qualification	150K hours @ full load and 25°C						
	DC cable & connector	0.75mm <sup>2</sup> VDC wire, 200mm						
	Efficiency (Normal)	75%						
Housing material	Aluminum							
ENVIRONMENT	Temperature	Operating: (-25 ~ +45)°C / Storage: (-40 ~ 80)°C						
	Humidity	IP67 = totally protected against dust & protected against the effect of immersion between 15cm and 1m						
CERTIFICATION & SAFETY		CE(EMC, LVD), RoHS, IP67						
CE		EN61347-1:2001 / EN61347-2-11:2001						
	EMI	EN55015, EN61547						
	Harmonic current	EN61000-3-2,-3						
WEIGHT	1pc	N.W.: 1.14kg   G.W.: 1.18kg						
PACKING	Box	0.40 x 0.26 x 0.25 [m]						
		19pcs / 1box						
		G.W.: 23.5kg / box						