

LED1011(CV)-T2 LED driver - Desktop 30W

RoHS

Country of Origin : China
 Operating Temperature : -20 ~ 50 [°C]
 Dimension : 97.5 x 57.5 x 33.5 [mm]
 Led Driver : Constant Voltage

Approvals / Marks :



Efficiency level (ErP) :



Features:

LED driver Constant Voltage	Designed and certified also for IEC320-C7 cable & inlet C8 (T2).
Suitable also for mounting on materials of B, C1, C2 flammability grades B, C1, C2	Wide range Input (90 ~ 264)VAC / (47 ~ 63) Hz.
Over load, over voltage & short protection.	

Specification:

ErP V.	Model	OUTPUT									
		Voltage DC [V]	Loading [A]	Tol. [V]	OCP [A]	OVP Max [V]	OTP [°C]	Efficiency [%]	Max. Power [W]	Ripple & Noise [V]p-p	Connector [mm] UL approved
	LED1011-3012CV-T2	12	0.05~2.50	11.4~12.6	2.8~6.5	13.2~17.4	115	≥83.49%	30	1.2	(*)
	LED1011-3024CV-T2	24	0.05~1.25	22.8~25.2	1.5~3.0	26.4~31.8	115	≥83.49%	30	2.4	(*)

INPUT	Voltage	(90 ~ 264) VAC
	Frequency	(47 ~ 63) Hz
	Current	1,2A rms@ 100V AC and DC output full load
	Surge Current max.	40/60Amax. @ power supply cold start, ambient temperature 25°C @100ac/240Vac nominal AC input.
	Leakage current	0.25mA Max.

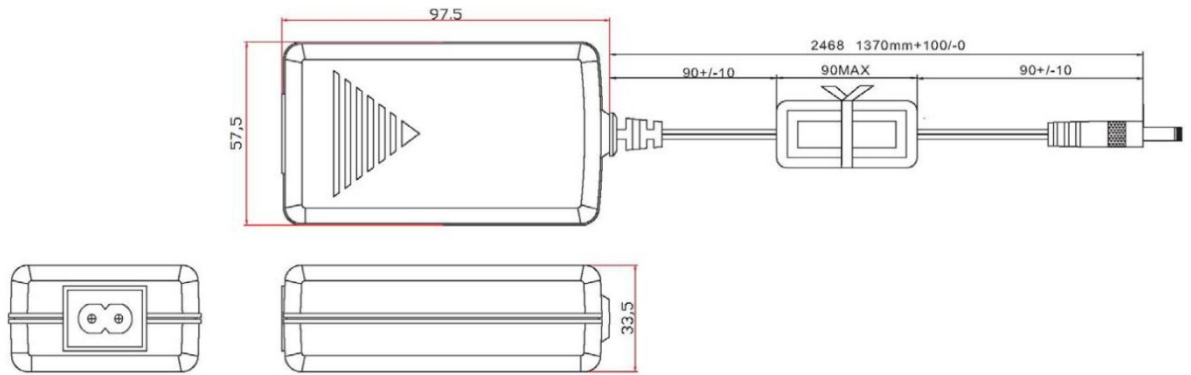
PROTECTION	Over load	OCP	The power supply shall be self-recovering when the fault condition is removed.
	Over Voltage	OVP	The power supply shall be self-recovering when the fault condition is removed.
	Short Circuit		Automatic recovery
	Over Temperature		115°C Transformer
	Power Factor		0.9 Min 100% load
	Protection class		II.

OTHERS	Dielectric Strength	I/P-O/P (FG): 3KVAC / 10mA / 1 min
	Turn on delay	5000 ms max. @ AC low line input @ output full load
	Hold-up Time	10ms min@ AC nominal Input and Output full load (1 half cycle)
	MTBF Qualification	50K hours full rated load operation at 25°C, according to the MIL-STD-217F.
	DC cable & connector	2468#20AWG*2C/4.5FEET PVC BLACK 80°C or depends on request
	Efficiency (typical)	The efficiency shall be higher than ≥83.49% typical while measuring at nominal line and maximum load. (Meet Energy Star level V)
	Power Consumption	The input power should less than ≤0.3W with output no load at 115VAC/230VAC input.
	Burn-in	2h
	Cooling	With convection cooling
	Input Fuse	2.0A protected against power line surges and any abnormal conditions

ENVIRONMENT	Temperature	Operating: (-20 ~ 50)°C / Storage: (-20 ~ 80)°C
	Humidity	Operating: (10 ~ 90)% RH / Storage: (20 ~ 90)% RH non condensing

SAFETY	CE TUV/GS	
EMC	EN55015:2009 EN61000-3-2:2009 EN61000-3-3:2008 EN 61547: 1995+A1: 2000	
WEIGHT	1pc	N.W.: -g / pc 0.5 x 0.38 x 0.36 [m]
PACKING	Box	60 pcs / 1box
		G.W.: -kg / box

Mechanical case specification:



Cable specification:

