




Country of Origin : China  
 Operating Temperature : 0~ 40 [°C]  
 Dimension : 87 x 38 x 26 [mm]  
 Suitable AC cable : IEC320-C7  
 Efficiency level (ErP) :   
 Approvals / Marks : 

**GREEN MODE**



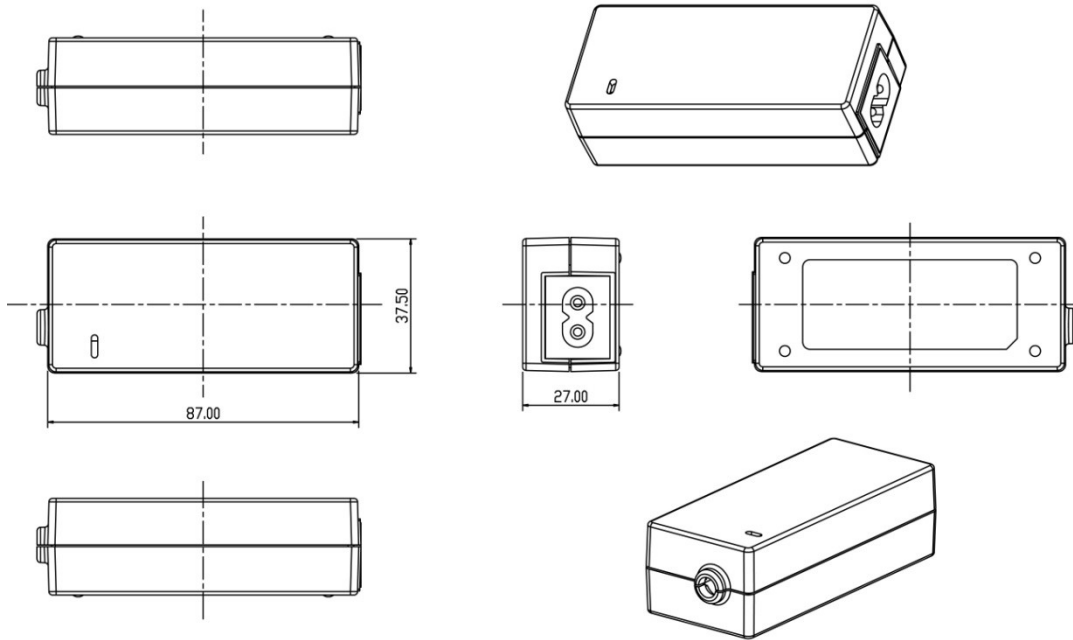
**Features:**

Desk Top power supply, single output. | Wide range Input (90 ~ 264) VAC / (47 ~ 63) Hz. Available in the inlet version: C8 (T2)   
 Overload, over voltage & short protection.  
 For I.T.E. use only + RoHS conform.

**Specification:**

		OUTPUT									
	Model	Voltage DC [V]	Loading [A]	Line/Road regulation [%]	OVP [V]	OPP [A]	Max. Power [W]	Efficiency [%]	Ripple & Noise [mV] p-p	Connector UL Approved [mm]	
ErP V.	SYS1419-3612-T2	12	0~3.0	±5	15~23	3.5~7	36	>85.3	250	2.1x5.5x11	
	SYS1419-4019-T2	19	0~2.1	±5	30	5.5	40	>85.3	350	(*)	
	SYS1419-4020-T2	20	0~2.0	±5	30	4.5	40	>85.3	350	(*)	
		(*) –will be provide with the specify model									
OEM Production	This model is certified for Pout=(5~40)W rising by of 1W step for Uout=(12 or 19 or 20)V										
OUTPUT	Turn on delay	5000 ms max @ AC low line input@output full load									
	Hold up time	10ms min @ AC nominal input @ output full load (> half cycle)									
	Efficiency (Normal)	>80% (Level V ) @ 240VACinput & Full load PS: meets EPA/C.E.C. (California Energy Commission) No Load Power consumption.									
	Transient response (dv, tmax)	0.7V dv max At AC nominal input loading from 50% load to max load or peak load 16ms tmax Dynamic rise time 10uS max , duty 40mS max , Dynamic load step is slew rate of 0.5A/uS									
	Power out. Limit	Peak 40W									
	Output LED	Yes									
INPUT	Burn in test	Full load 2 Hours									
	Voltage	(90 ~ 264)VAC									
	Frequency	(47 ~ 63) Hz									
	Current	1.5A rms @ AC low line input and DC output full load									
	Inrush Surge Current (cold start)	40/60A max @ power supply cold start, ambient temperature 25°C @ 115Vac / 230Vac nominal AC input.									
	Leakage current	0.25 mA Max.									
PROTECTION	Power consumption	0.3W rms max. At AC nominal input excessive @ output min load									
	Over Current /Short protection	The power supply will self-protect any output to ground, And auto recovery when abnormal circuit faults remove. An output short circuit is defined as any output impedance of less than 0.1 ohms. OCP method >>Fold back<<									
	Over Voltage	The power supply will not be auto recovered when faults remove >>Voltage limit<<									
	Input protection	3.15A Fuse									
	No load protection	The power supply is provided with no load operation to prevent the power supply and system from damage.									
OTHERS	Protection class	II.									
	Dielectric Strength (Hi-pot)	Primary to Secondary: 3000VAC / 10mA / 60s									
	M.T.B.F	50K hours full rated load operation at 40 °C ,according to the MIL-HDBK-217F.									
	Cable length	1370mm (4,5 feet) round cable 2468#18*2 C 4.5FT or depends on customer requirements									
	PLD (power line disturbance )	LINE POWER SURGE   LINE VOLTAGE SAG – more information will be provide on request									
	Cooling method	By natural air									
ENVIRONMENT	Housing material	-									
	Temperature coefficient:	< ±0.5% / °C									
	Temperature	Operating: (0 ~ 40)°C / Storage: (-20 ~ 85)°C									
SAFETY	Humidity	Operating: 8% ~ 90% RH / Storage: 5% ~ 95% RH non condensing									
		CE   TUV/ CB   UL   CUL   CCC   FCC   EN 60950-1:2006+A11   LVD2006/95/EC   IEC 60950-1:2005									
EMC	EMI	Meet EN55022 class B, Fcc part 15 Sub part B.   EN61000-3-2,3									
	EMS	EN 55024   EN61000-4-2,3,4,5,6,8,11									
WEIGHT	1pc	N.W.: 175g / pc									
PACKING	Box	0.39 (L) x 0.30 (W) x 0.42(H) [m]									
		66 pcs / 1box									
		G.W.: 13kg									

**Mechanical case specification:**



**Cable specification:**

2468#18\*2C 4.5FT (1370mm)

