



Country of Origin : China
 Operating Temperature : 0 ÷ 40 [°C]
 Dimension : 88 x 57.5 x 37 [mm]
 Efficiency level (ErP) : 
 Approvals / Marks : 

GREEN MODE



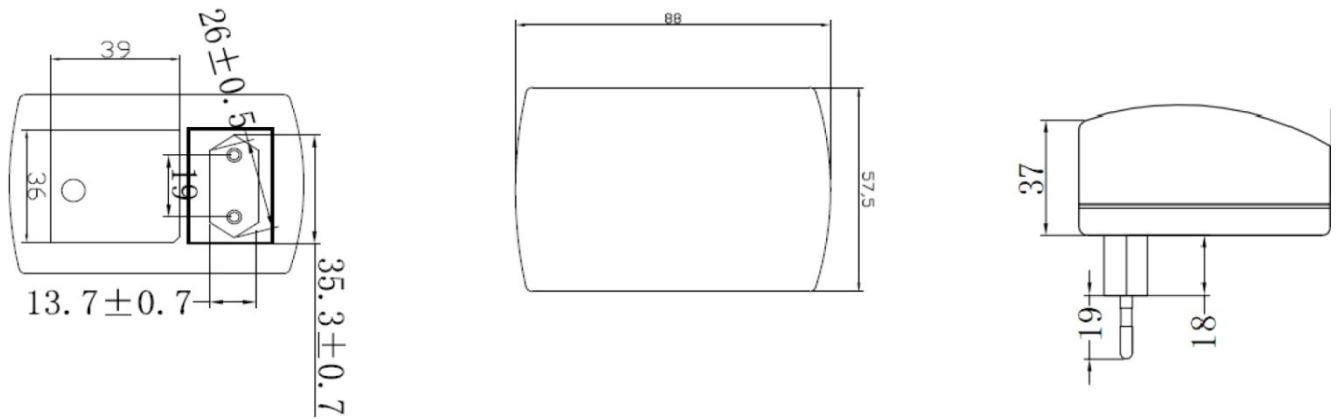
Features:

High efficiency & low power consumption, Light Weight & Compact
 Wall-mount power supply, single output. | Wide range Input (90 ~ 264) VAC / (47 ~ 63) Hz.
 Overload, over voltage & short protection.
 For I.T.E. use only + RoHS conform.

Specification:

		OUTPUT						
	Model	Voltage DC [V]	Loading [A]	Line/Road regulation [%]	Hold up time [ms]	Max. Power [W]	Ripple & Noise [mV] p-p	Connector [mm]
ErP V	YJXX-2448-W2E	48	0~0.5	±3 / ±5	5	24	<500	2.1x5.5x11
OEM Production :								
OUTPUT	Turn on delay	3000 ms max @ 100VAC input @output full load						
	Hold up time	5 ms min.at 100Vac input and output Max.Load.						
	Efficiency (Normal)	Average Efficiency achieve – 82.1% at 115Vac input / 82.1% at 230Vac input ---EuP2						
	Rise time	40 ms max.at 100Vac input and output Max load						
	Burn in test	Full load 4 Hours						
	-	-						
INPUT	Voltage	(90 ~ 264)VAC						
	Frequency	(47 ~ 63) Hz						
	Current	0.8Amax @ any input voltage and rated, DC output rated load.						
	Inrush Surge Current (cold start)	30A max @ Cold start at 240Vac input, with rated load and 25°C ambient.						
	Leakage current	0.25 mA Max.						
	Power consumption	0.3W rms max. At AC nominal input@output min load						
PROTECTION	Over Current /Short protection	The power supply will be auto recovered when over current faults remove. /The power supply will be auto recovered when short circuit faults remove. Output current achieve over current protection point.will auto protection without output.be capable of auto-recovery function						
	Over Voltage	Yes						
	No load protection	The power supply is provided with no load operation to prevent the power supply and system from damage.						
	Protection class	II.						
OTHERS	Dielectric Strength (Hi-pot)	Primary to Secondary: 3000VAC / 5mA / 3s						
	Cable length	1500mm ± 50mm - 2 wires cable 24AWG 2468 or depends on customer requirements						
	Cooling method	By natural air						
ENVIRONMENT	Temperature	Operating: (0 ~ 40)°C / Storage: (-10 ~ 80)°C						
	Humidity	5%(0°C)~90%(40°C)RH,72Hrs,Full load, Normal operating.						
SAFETY		CE(EMC LVD)						
	EMC	2004/108/EC (EN61000-3-2,3 EN 55022, EN 55024) LVD 2006/95/EC						
	EMI	EN 60950-1:2006+A11:2009 EN55022 class B rules						
WEIGHT	1pc	N.W.: 155g / pc G.W.: 181g / pc						
PACKING	Box	0.54(L) x 0.43(W) x 0.15(H) [m]						
		50 pcs / 1box						
		G.W.: 11 kg/box						

Mechanical case specification:



Cable specification:

2468#22 AWG / 5FT (1500mm)

