

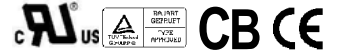
SPS-G150-xx Series

150W, Single Output

Green mode function



198 x 95 x 38 mm
 7.80 x 3.74 x 1.50 inch



Features:

- * Green-mode design, no load < 1W
- * High efficiency and high reliability
- * AC input range selected by 115/230 SW.
- * Built in EMI filter, low ripple noise
- * Over voltage protection : Shutdown and latch off
- * Over load & short circuit protection : Hiccup mode
- * Output voltage $\pm 10\%$ adjustment
- * 100% full load burn-in test
- * $-20^{\circ}\text{C} \sim 70^{\circ}\text{C}$ Operating temperature
- * UL, cUL, TUV, CB, CE approved
- * 3 years warranty

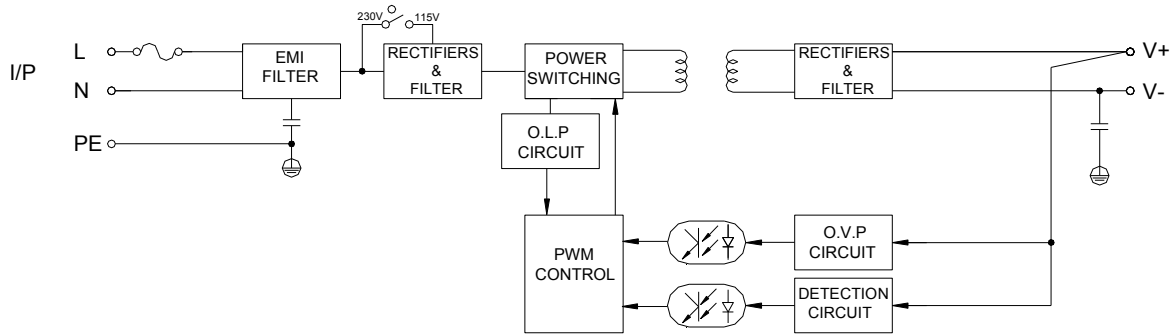
Specification:

INPUT	Voltage ②	AC 88V ~ 132V or 176V ~ 264V selected by switch · DC 250V ~ 375V.					
	Frequency	47 ~ 63 Hz					
	Current	<3.2A@115V , <2A@230V AC input, full load condition					
	Inrush Current	<35A@115V , <70A@230V AC input, Cold start at 25°C ambient					
	Leakage Current	<1.0mA@264V AC input					
OUTPUT	MODEL No.	SPS-G150-05	SPS-G150-12	SPS-G150-15	SPS-G150-24	SPS-G150-30	SPS-G150-48
	Voltage	5V	12V	15V	24V	30V	48V
	Min Load	0A	0A	0A	0A	0A	0A
	Max Load	26A	12.5A	10A	6.5A	5.2A	3.3A
	Output Tolerance ③	$\pm 2\%$	$\pm 1\%$	$\pm 1\%$	$\pm 1\%$	$\pm 1\%$	$\pm 1\%$
	Ripple Noise MAX. ④	70mV	120mV	150mV	150mV	200mV	200mV
	Efficiency (TYP.)	78%	85%	85%	86%	87%	87%
	Output MAX.	130W	150W	150W	156W	156W	158W
PROTECTION	Over Voltage	5.8~7.0V	13.8~16.8V	17.3~21.0V	27.6~33.6V	34.5~42.0V	55.2~67.2V
	Over Load & Short Circuit	Shutdown and latch off, recover after re-start up. When power supply over 105%~ 150% max load or short circuit acted, power supply will go into hiccup mode and recover automatically after the fault is removed.					
ELEC. CHAR.	Rise time	<30mS					
	Hold up time	>20mS@230V, full load condition					
	Setup time	<1.5 S@115V , <1 S@230V					
	Green mode function	Power consumption at no load < 1W at 240VAC input					
ENVIRONMENT	Temperature ⑤	Operating: $-20 \sim +70^{\circ}\text{C}$; De-rating: $45 \sim 70^{\circ}\text{C}$: 2.5%/°C ; Storage: $-40 \sim +85^{\circ}\text{C}$					
	Humidity	Operating: 20% ~ 90% RH (non condensing) ; Storage: 10% ~ 95% RH (non condensing)					
SAFETY	Withstand voltage	I/P-O/P:3KVAC, I/P-PE:1.5KVAC, O/P-PE:0.5KVAC, 1minute					
	Isolation resistance	I/P-O/P, I/P-PE, O/P-PE > 100MΩ/500VDC at 25°C/ 70% RH					
	Safety standard	UL 60950-1 2 nd , CSA C22.2 No. 60950-1-07 2 nd , TUV EN 60950-1:2006+A11, IEC 60950-1:2005, approved.					
EMC	EMI	EN 55022 CLASS B, FCC CFR 47 PART 15 CLASS B, CNS 13438 CLASS B. Compliance to EN61000-3-2 CLASS A, EN61000-3-3					
	EMS	EN 55024 : EN 61000-4-2,3,4,5,6,8,11					
OTHERS	Cooling	Natural cooling.					
	M.T.B.F.	256K hours					
	Terminal pitch	7P / 9.5mm with plastic cover, 90 deg terminal optional (with MOQ)					
	Packing	N.W.:0.66Kg / 1pc; 24 pcs / 1.22 CUFT / 1 CTN					

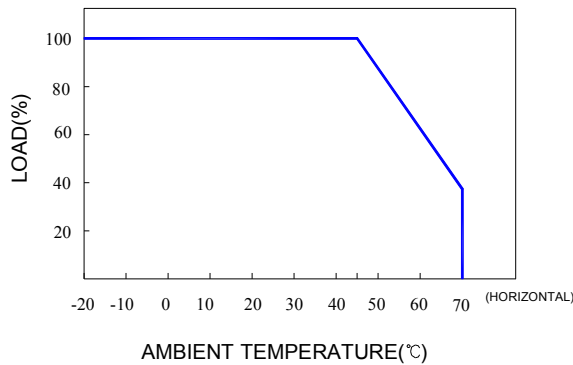
NOTE	①	All measurements which not mentioned are based on 230VAC input, output Max at ambient 25°C / 70%RH
	②	If the input voltage is DC 250 ~ 375V, the AC slide switch must stay at 230V range.
	③	Output tolerance included set up voltage, line regulation and load regulation.
	④	Ripple & noise are measured at 115/230VAC input with 10~50°C condition and 20MHz of bandwidth by using a 10' ~ 15' twisted pair-wire terminated with a 0.1uF & a 47uF parallel capacitor.
	⑤	The operating temperature shall follow the de-rating curve in spec
	⑥	The power supply is considered a component of end-equipment. The end-equipment must be re-confirmed whether comply with EMC directives.

SPS-G150-xx Series

Block Diagram : SS1

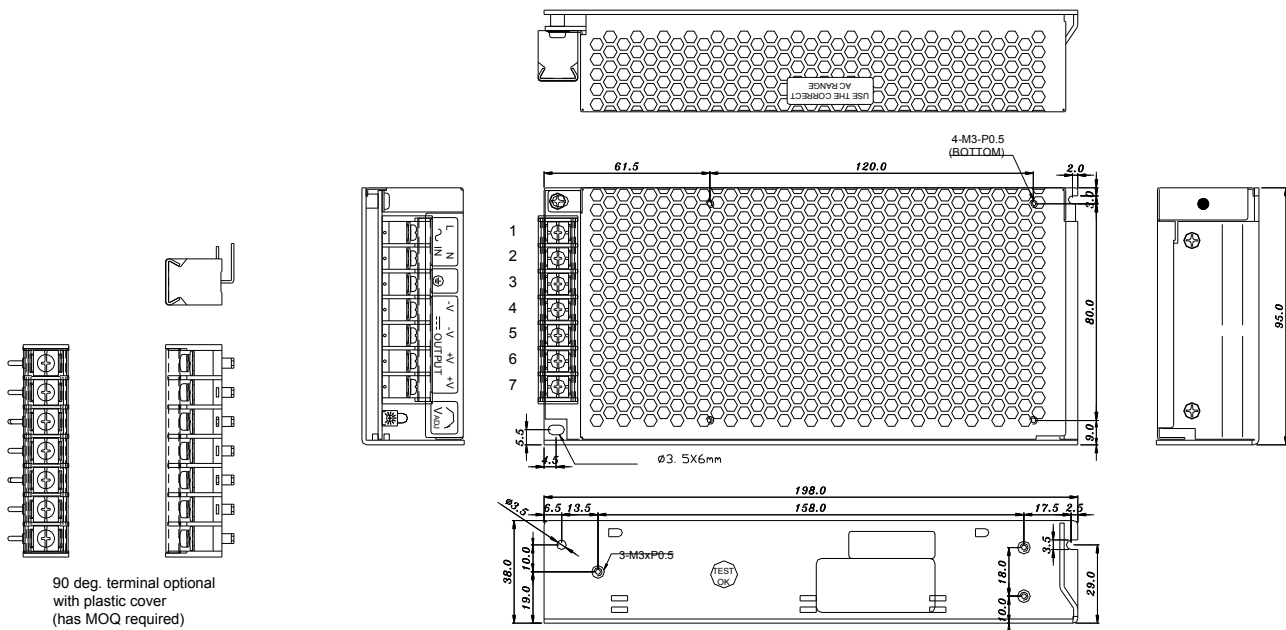


De-rating Curve :



Dimension:

(Unit: mm)



90 deg. terminal optional with plastic cover (has MOQ required)

Terminal Pin. No Assignment: 7P / 9.5mm with plastic cover

Pin No.	Assignment	Pin No.	Assignment
1	AC/L	5	DC OUTPUT V
2	AC/N	6	DC OUTPUT +V
3	PE	7	DC OUTPUT +V
4	DC OUTPUT V		