

Country of Origin : China
 Operating Temperature : 0 ~ 40 [°C]
 Dimension : 115 x 55 x 35 [mm]
 Suitable cable : IEC 320-C13
 Approvals / Marks :
 Efficiency Level (ErP) :



GREEN MODE



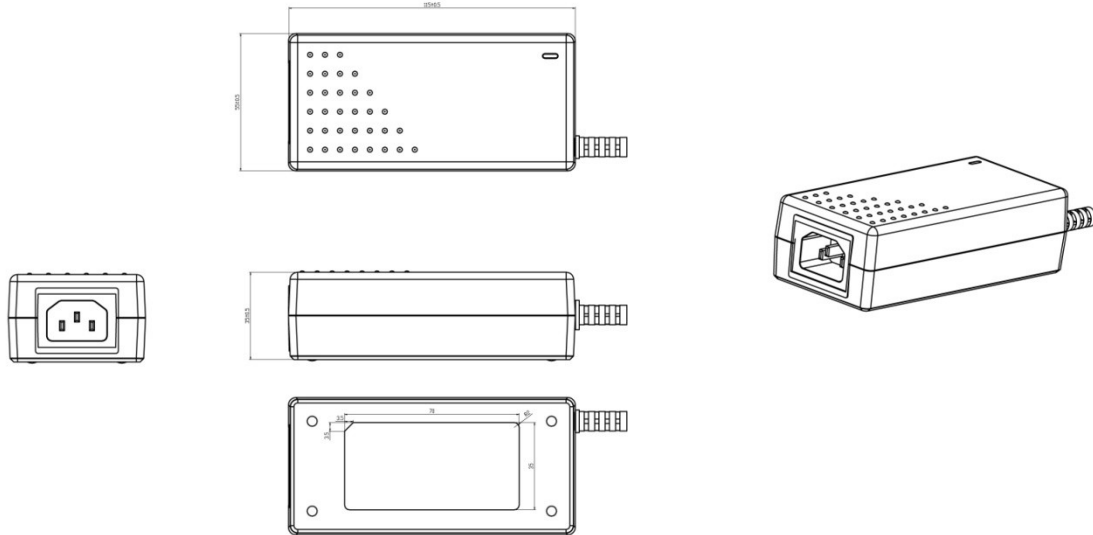
Features:

Available at stock in version 48W / 12V & C14 inlet only.	Overload, over voltage & short protection.
Wide range Input (90 ~ 264)VAC / (47 ~ 63) Hz.	Possible C8 inlet version has current plus extra certificates: S-Mark.
For I.T.E. use only + RoHS conform.	Available also for A.V. application.

Specification:

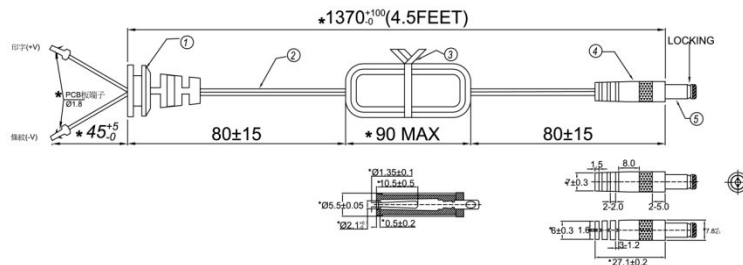
		OUTPUT							
	Model	Voltage DC [V]	Loading [A]	Line/Road regulation [%]	Hold up time [ms]	Max. Power [W]	Efficiency [%]	Ripple & Noise [mV] p-p	Connector UL approved [mm]
ErP V.	SYS1359-3612-T3	12	0.05~3	5	10	36	>84.6	120	2.1x5.5x11
	SYS1359-3612-T3	12	0.05~3	5	10	36	>84.6	120	2.1x5.5x9.5-L
	SYS1359-3612-T3	12	0.05~3	5	10	36	>84.6	120	Molex
	SYS1359-4812-T3	12	0.05~4	5	10	48	>80	120	(*)
	SYS1359-4515-T3	15	0.05~3	5	10	45	>80	150	(*)
(*) Will be provide with the specify model.									
OEM Production	This model is certified for Uout= 12V & 15V and Pout=(36~48)W								
OUTPUT	Turn on delay	4000 ms max At AC low line input @output full load							
	Hold up time	10ms min @ AC nominal input @ output full load (1 half cycle)							
	Efficiency (Typical)	>80%							
	Output transient response (dv, tmax)	0.7v dv max At AC nominal input loading from 50% load to max load or peak load. 16ms t max Dynamic rise time 10uS max , duty 40mS max , Dynamic load step is slew rate of 0.5A/uS							
	LED	Yes, ON-power on / OFF-power off							
INPUT	Voltage	(90 ~ 264) VAC							
	Frequency	(47 ~ 63) Hz							
	Current	1.5A rms @ AC low line input and DC output full load							
	Inrush Current (cold start)	60Amax. @ power supply cold start, ambient temperature 25°C@230vac nominal AC input.							
	Leakage current	3.5 mA Max.							
	Power consumption	0.3W rms max At AC nominal input@output no load							
	PROTECTION	Over Current	The power supply will be auto recovered when over current faults remove. >>Fold back<<						
Over Voltage		The power supply will not be auto recovered when faults remove >>Voltage limit<<							
Short Circuit		The power supply will be auto recovered when short circuit faults remove. An output short circuit is defined as any output impedance of less than 0.1 Ω.							
Protection class		I.							
Input protection		2A Fuse, the power supply shall be protected against power line surges and any abnormal condition.							
No load protection		Yes							
OTHERS	Dielectric Strength (Hi-pot)	3pin Primary to Secondary: 1500VAC / 10mA / 60s							
	M.T.B.F	50K hours full rated load operation at 25°C, according to the MIL-HDBK-217F.							
	Cable length	According bellow "Cable specification" or on customer request.							
	Temperature coefficient :	<±0.5% / °C							
ENVIRONMENT	Temperature	Operating: (0 ~ 40)°C / Storage: (-20 ~ 85)°C							
	Humidity	Operating: 8% ~ 90% RH / Storage: 5% ~ 95% RH non condensing							
SAFETY		CE TUV/GS CB UL cUL BSMI FCC CCC PSE KC SAA C-Tick							
EMC	EMI	EN 55022 Class B (2006)+ A1 (2007) EN 61000-3-2 (2006)+ A1 (2009)+ A2 Class A (2009)/EN 61000-3-3 (2008)							
	EMS	EN 55024 (1998)+A1 (2001)+A2 (2003) IEC 61000-4-2 (2008) IEC 61000-4-3 (2006)+ A1 (2007)+ A2 (2010) IEC 61000-4-4 (2004)+ A1 (2010) IEC 61000-4-5 (2005) IEC 61000-4-6 (2008) IEC 61000-4-8 (2009) IEC 61000-4-11 (2004)							
WEIGHT	1pc	N.W.: 300g / pc							
PACKING	Box	0.48(L) x 0.44(W) x 0.26(H) [m]							
		60pcs / 1box							
		G.W.: 18.5 kg/box							

Mechanical case specification:

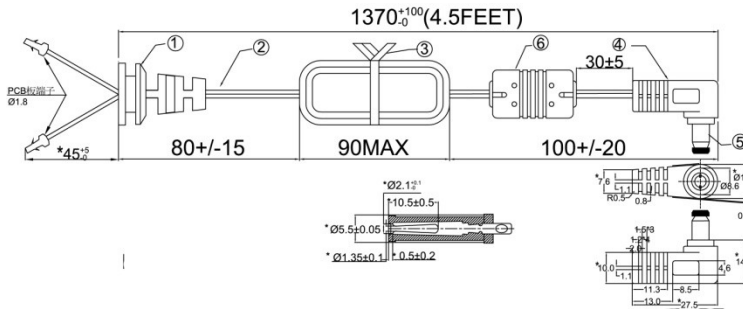


Cable specification:

- a) 2.1*5.5*11 (2468#18*2C / 4.5FT)



- b) 2.1*5.5*11-L (2468#20*2C / 4.5FT)



- c) SPT-1#18*2C

