






# SKxx-65xx-ST2 Laptop Power Supplies 65W

RoHS

Country of Origin : China  
 Operating Temperature : 0 ÷ 40 [°C]  
 Dimension : 132 x 57 x 16.5 [mm]  
 Efficiency level (ErP) :   
 Approvals / Marks :    

GREEN MODE



## Features:

Green Product = High efficiency circuitry that generates little heat : CEC V.  
 Extra safe design | Built-in EMI filter | Super Slim Model <17mm | Perfect protection function.  
 Simple design philosophy.  
 For I.T.E. use only + RoHS conform + Green Power

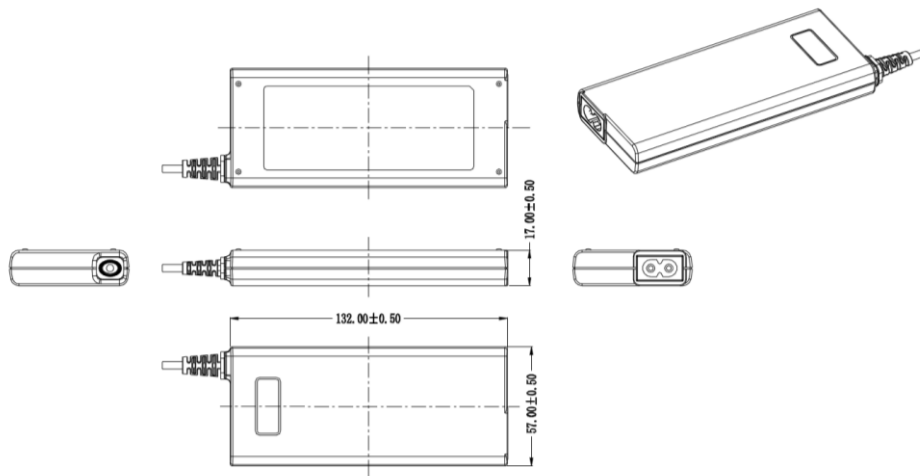
Available in inlet version: C8 (T2)



## Specification:

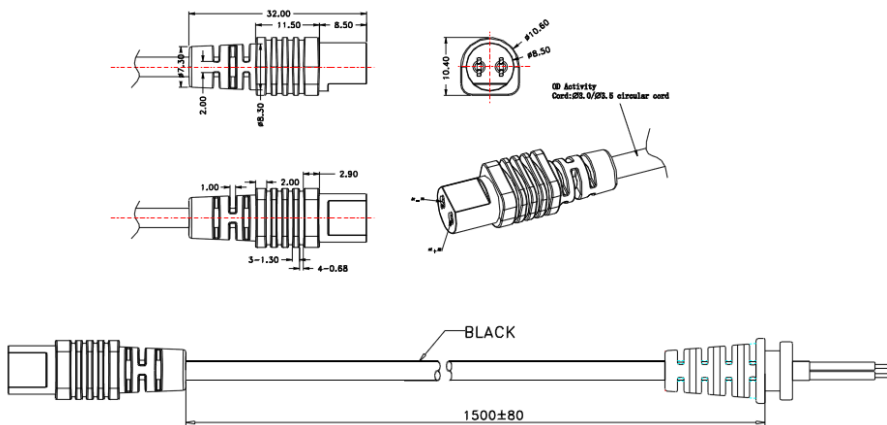
		OUTPUT							
	Model	Voltage DC [V]	Loading [A]	Line/Road regulation [%]	OVP [V]	OCP [A]	Max. Power [W]	Ripple & Noise [mV] p-p	Connector [mm]
ErP V.	SKAC-6519-ST2	19	0.05~3.42	±5	-	-	65	300	1.7x5.5x11
	SKHP-6518.5-ST2	18.5	0.05~3.42	±5	-	-	65	300	5.0x7.4x12.5CP
	SKUN-6519-ST2 (UNI)	19	0.05~3.42	±5	-	-	65	300	A.C.E.F.Fc. (*)
	SKXX-6519-ST2	19	0.05~3.42	±5	-	-	65	300	2.5x5.5x11
	(*) DC Connectors	"A" — 4.2 x 6.0 x 14.0 (CP) (black) "C" — 2.5 x 5.5 x 12 (black) "E" — 1.7 x 5.5 x 11.5 (yellow)			"F" — 1.7 x 4.8 x 10.5 (yellow) "Fc" — 1.7 x 4.8 x 10.5 (black conical)				
OEM Production	The product is certified for output voltage (16~24)V by 0.1V step for maximum output power 65W								
OUTPUT	Turn on delay	6000 ms max @ AC low line input@output full load							
	Hold up time	10ms min @ AC nominal input@ output full load (> half cycle)							
	Rise time	<20ms to rise to within regulation limits for all DC outputs							
	Efficiency (Normal)	>87% (Level V ) @ 240VAC input & Full load							
	Over-shoot	<7% of nominal voltage value							
	Output LED	No							
INPUT	Voltage, operating range	(90 ~ 264)VAC							
	Frequency	(47 ~ 63) Hz							
	Current	1.5A rms @ AC low line input and DC output full load							
	Inrush Surge Current (cold start)	80A max @ power supply cold start, ambient temperature 25°C @ 230Vac nominal AC input.							
	Leakage current	≤0.25 mA Max.							
	Maximum input power	74.69W							
	Power consumption	0.5W rms max.							
PROTECTION	Over Current	The power supply will be protection when output power at (110-200)% of all rated dc output							
	Short-circuit	The adapter shall not damage and with auto recovery function by short the DC output to Ground							
	Over Voltage	28.5V max. The output voltage shall be clamped by internal protection zener							
	Input protection	An adequate internal fuse on the AC input line is provide							
	Insulation resistance	Input to Output: 10MΩ(MIN.) at 500VDC							
	Dielectric Strength (Hi-pot)	Primary to Secondary: 3000VAC / 5mA / 60s							
	Reinforced insulation system	Primary-to-Ground and Primary-to-Secondary							
	Protection class	II.							
OTHERS	M.T.B.F	50K hours full rated load operation at 25 °C, according to the BELLCORE SR-332 method							
	Cable length	1500mm (5feet) VW-1 80°C 300V 1185 3.5Q 18AWG Black (PAHS, REACH) round cable or depends on customer requirements							
	Cooling method	By natural air, the maximum room ambient temperature for externap PSU is 40°C (mentioned in clause 1.4.12 of IEC 60950-1)							
	Housing material	PPHOX (UL94V-1 SE-1) Black							
	Temperature coefficient:	< ±0.5% / °C							
ENVIRONMENT	Temperature	Operating: (0 ~ 40)°C / Storage: (-20 ~ 80)°C							
	Humidity	Operating: 10% ~ 90% RH / Storage: 10% ~ 90% RH non condensing							
SAFETY		CE   TUV   UL							
	EMC	UL 60950   TUV/VDE-EN60950   CE   EN 60950-1							
WEIGHT	1pc	N.W.: 242g   G.W.: 265g							
PACKING	Box	0.51(L) x 0.36(W) x 0.19(H) [m]							
		45 pcs / 1box							
		G.W.: 12.8kg							

## Mechanical case specification:



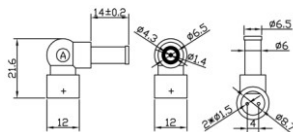
## Cable specification:

- a) UNI type (1185/18AWG\*1C)

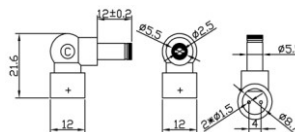


- b) Detailed specification of UNI connectors

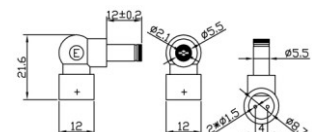
„A“ connector



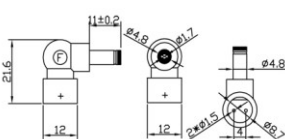
„C“ connector



„E“ connector



„F“ connector



„Fc“ connector

